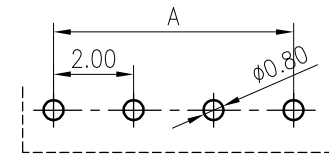
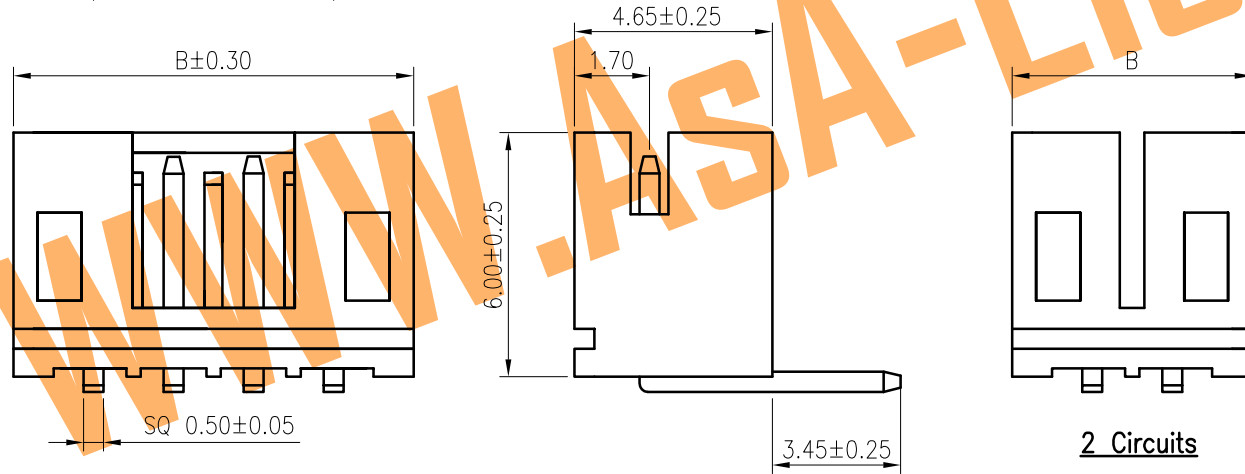
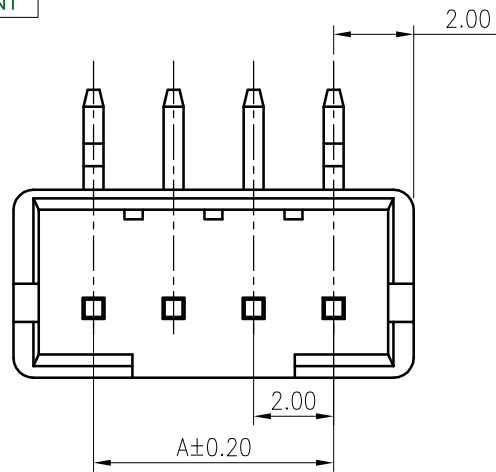


RoHS  
COMPLIANT



Recommended P.C.B. Layout  
Total tolerance: ±0.05mm

**SPECIFICATIONS**

1. Current rating: 2A AC, DC
2. Voltage rating: 100V AC, DC
3. Temperature range: -40°C ~ +105°C
4. Insulation resistance: 1000MΩ/ min.
5. Withstanding voltage: 800V AC/ minute.
6. Contact resistance: 20mΩ/ max.

**Material:**

Insulator: PA66 UL 94V-0  
Contact: Brass/ Tin plated over Nickel  
Mate with KR2001 series Housing

**Ordering Code:**

C2001RD \*\*\* 01 T01 02PB  
 No. of Circuits 102:2, 116:16  
 Insulator Material 01: PA66 White  
 Plating T01: Tin plated

Circuits	Dimensions		Circuits	Dimensions	
	A	B		A	B
2	2.00	6.00	10	18.00	22.00
3	4.00	8.00	11	20.00	24.00
4	6.00	10.00	12	22.00	26.00
5	8.00	12.00	13	24.00	28.00
6	10.00	14.00	14	26.00	30.00
7	12.00	16.00	15	28.00	32.00
8	14.00	18.00	16	30.00	34.00
9	16.00	20.00			

△4				
△3				
△2	Change the part number and frame format	Arvin	2020.04.03	
MARK	REVISION DESCRIPTION	SIGNATURE	DATE	
1	2	3	4	5

TOLERANCE	TITLE:	DRAWN:
XX ±0.30	PH2.0 DIP90° Wafer	Arvin 2020.04.03
X XX ±0.20	No K	CHECKED
X XXX ±0.10		APPROVED
Angle ±2°	UNIT: mm	SHEET 1/1
	SCALE: 1/A	PROJECTION

 WWW.ASA-Elec.com ASA Electronic Co. Tel: (+98) 21 66 73 56 82 Mob: (+98) 912 03 161 02	
PART NO: C2001RD***01T0102PB	
REV: A2	DRAWING NO: 2001WRD102-B-S
7	8